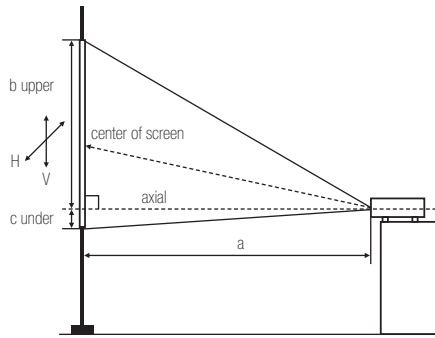
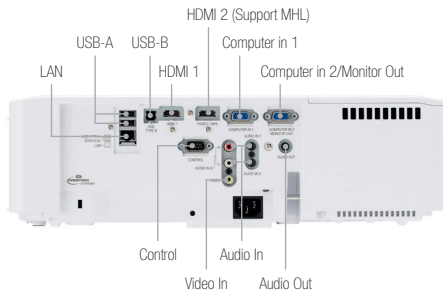


# CP-EU4501WN

3LCD Lamp projector, 4500 ANSI Lumens, 16,000:1 contrast ratio, WUXGA (1920 x 1200) resolution

**HITACHI**  
Inspire the Next

## Technical Specifications



**a:** Projection distance from centre of lens to the screen.

### THROW CHART 16:10 ASPECT RATIO (BUILT-IN LENS)

Screen size (diagonal)	HxV		Projection distance (a)		Screen height (cm)	
	(m)	(m)	Wide (m)	Tele (m)	b upper	c under
30" (0.8 m)	0.6	0.4	0.8	1.3	35	5
60" (1.5 m)	1.3	0.8	1.7	2.7	70	10
80" (2.0 m)	1.7	1.1	2.2	3.6	94	14
100" (2.5 m)	2.2	1.3	2.8	4.5	117	17
120" (3.0 m)	2.6	1.6	3.4	5.5	141	21
200" (5.1 m)	4.3	2.7	5.6	9.1	234	35
300" (7.6 m)	6.5	4.0	8.5	13.7	352	52

### THROW CHART 16:9 ASPECT RATIO (BUILT-IN LENS)

Screen size (diagonal)	HxV		Projection distance (a)		Screen height (cm)	
	(m)	(m)	Wide (m)	Tele (m)	b upper	c under
30" (0.8 m)	0.7	0.4	0.8	1.4	34	3
60" (1.5 m)	1.3	0.7	1.7	2.8	68	7
80" (2.0 m)	1.8	1.0	2.3	3.7	91	9
100" (2.5 m)	2.2	1.2	2.9	4.7	114	11
120" (3.0 m)	2.7	1.5	3.5	5.6	136	13
200" (5.1 m)	4.4	2.5	5.8	9.4	227	22
300" (7.6 m)	6.6	3.7	8.7	14.1	341	33

Hitachi Throw Calculator:  
<http://www.hitachidigitalmedia.com/en-gb/throw-distance-calculator>

### OPTICAL

Display System	3LCD (0.64 inches) aspect ratio 16:10
Resolution	WUXGA (1920 x 1200)
Light Output (Brightness) ANSI Lumens	4500 (Normal), 3375(Eco)
Contrast Ratio	16,000:1
Lamp Life (Hours)	4500 (Normal), 6000 (Eco)
Lens	Built-in
Lens Zoom	Manual Zoom x 1.6
Lens Focus	Manual Focus
Lens Shift	Not Supported
Projection Lens F Number	1.65 - 2.15
Focus Distance	0.8 - 8.4 m (WIDE), 1.3 - 13.6 m (TELE)
Distance to Width Ratio/ Throw Ratio (:1)	1.3 (Wide), 2.1 (Tele)
Diagonal Display Size	30 – 300 inches

### FEATURES

Installation	Ceiling, Tabletop, Rear
Speakers	16W Mono
Digital Keystone	Horizontal: ± 30 degrees, Vertical: ± 30 degrees
Picture Modes	Standard, Cinema, Dynamic, Board (Black), Board (Green), Whiteboard, Daytime, Photo, Dicom SIM.
Picture Adjustments	ASPECT selection (Normal/4:3/16:9/16:10/14:9/Zoom), Perfect Fit (4 corners and 4 sides), Frame Lock (Data signal with vertical frequency of 49 to 51 Hz, 59 to 61 Hz), HDCR, Image blank by RS232C/Remote control, Image Optimizer, Magnify, Mirror Reverse Image, Up-side Down Image
Network Features	Wireless Capability(Optional), Multi Projector, Moderator Control Mode, Projector Quick Connection (ios / Android app), Projector Monitoring and Control from a Remote Location, E-mail Alerts
Security Features	Password/Myscreen Password, Pin Lock, Key Lock
Supported Languages	34 Languages (English, French, German, Spanish, Italian, Norwegian, Dutch, Japanese, Portuguese, Simplified Chinese, Traditional Chinese, Korean, Swedish, Russian, Finnish, Polish, Turkey, Arabian, Persian, Czech, Danish, Hungarian, Romanian, Slovenian, Croatian, Greek, Lithuanian, Estonian, Latvian, Thai, Portuguese(Brazil), Indonesian, Vietnamese, Hebrew)

### COMPATIBILITY

Computer	IBM Compatible VGA, SVGA, XGA, WXGA, SXGA, WSXGA+, HD, UXGA, WUXGA
Video	525i(480i), 525p(480p), 625i(576i), 625p(576p) 1125i(1080i@50/60), 750p(720p@50/60), 1125p(1080p@50/60)

### CONNECTIONS

Digital Input	HDMI x 2 (HDCP compliant, HDMI 2 shared with MHL)
Analogue Input	15-pin Mini-D-Sub x 2, RCA Jack x 1
Video Output	15 pin Mini D-Sub x 1
Audio Input	3.5mm Stereo Mini Jack x 2, RCA Jack (L/R) x 1
Audio Output	3.5mm Stereo Mini Jack x 1
RS-232C Control	1 x 9-pin D-Sub
Wireless LAN	Yes (Optional)
Wired LAN	RJ45 connector x 1
USB Type-A	USB type A x 2 (PC less Presentation or Wireless adapter)
USB Type-B	USB type B x 1
Wired Remote I/O	Not Supported

### POWER

Power Supply	AC 100V – 120V / AC 220V – 240V (50/60Hz)
Power Consumption Operating / Standby	400W / Less than 0.5W

### PHYSICAL

Weight	5.3kg
Dimensions (W x H x D)	413 x 123 x 315mm
Operation Noise	35db (Normal), 27db (Eco)

### CERTIFICATION

Certification	CE Marking, EN61000-3-2, EN61000-3-3, EN55032(class A), EN55024(EMC directive), EN60950-1 (Low voltage directive), WEEE/RoHS compliant
---------------	--

### ACCESSORIES

Supplied Accessories	Power Cable, Computer Cable, Remote controller with the two AA batteries, Lens Cover and cap, Adapter Cover(for USB Wireless Adapter), Security Label, User's Manual CD, application CD
Optional Accessories	USB-WL-5G (wireless adapter)

### WARRANTY

Replacement Lamp / Filter	DT02061 / UX41161
Projector / Lamp Warranty	3 years / 6 months (for education and extended warranties please contact your local dealer)